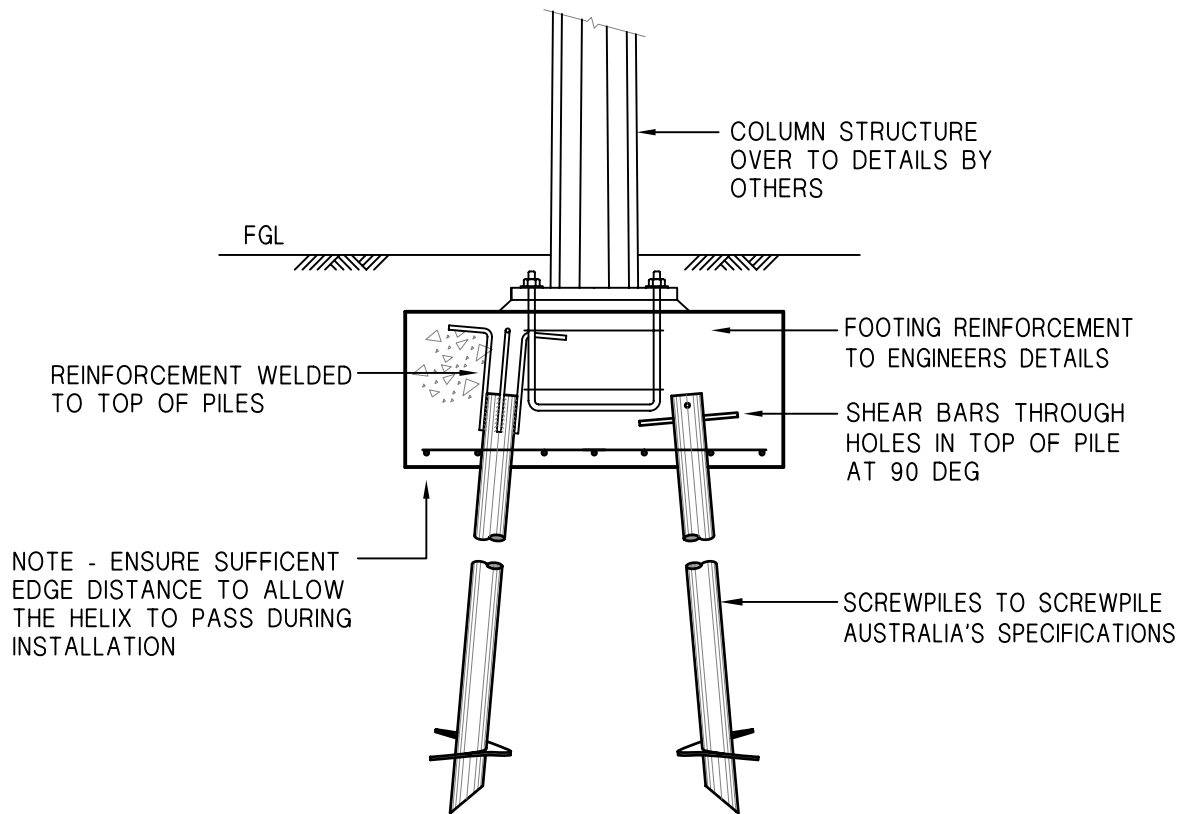


Copyright © 2009 this drawing and its contents remains the property Screwpile Technologies. This drawing is supplied on a 'as is' for information purposes only. Whilst all care has been taken in preparing this information Screwpile Technologies accepts no liability for any claims arising from result of using this information, nor for the accuracy or completeness of any information contained herein. By downloading this drawing you are automatically agreeing to the above conditions.



## PILECAP DETAIL



5 James Street  
Bayswater, WA, 6053  
Ph: 9371 7711  
Fax 9371 7722

DRAWING TITLE

PILE CAP CONNECTION DETAIL

DRAWING NUMBER ST-0907-102

SCALE 1:20

REVISION 0