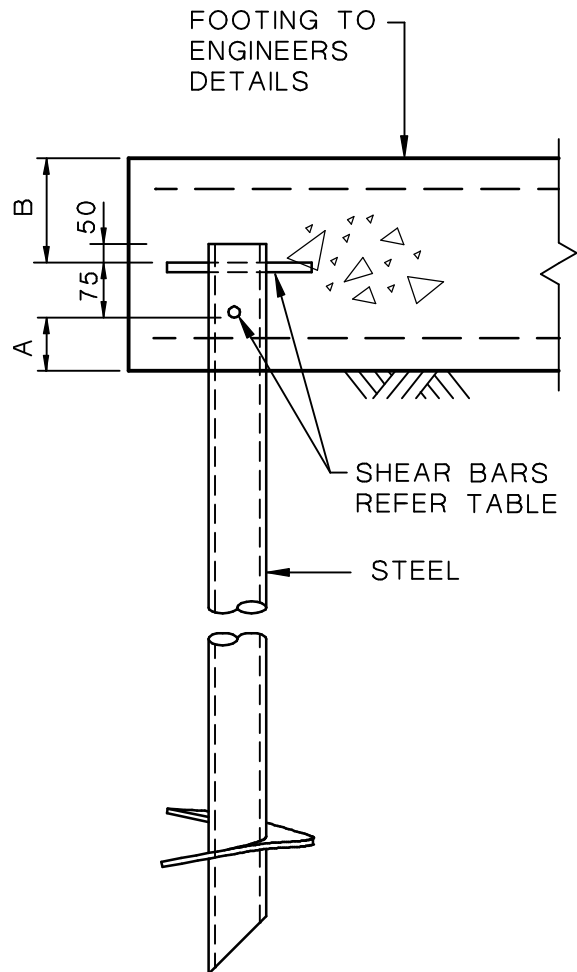


SCREWPILE LOAD (kN) SWL	NUMBER OF HORIZ SHEAR BARS	MINIMUM SHEAR BAR SIZE	MINIMUM SHEAR BAR LENGTH (mm)	MINIMUM COVER BELOW SHEAR BAR - 'A' (mm)	MINIMUM COVER ABOVE SHEAR BAR - 'B' (mm)
50	1	Y16	400	75	115
100	1	Y16	400	75	160
150	1	Y20	400	75	190
200	1	Y20	400	75	225
250	1	Y24	400	75	250
300	1	Y24	600	75	275
350	2	Y20	600	75	300
500	2	Y24	600	75	350
600	2	Y24	600	75	380
700	2	Y28	600	75	415
800	2	Y28	600	75	450
900	2	Y28	600	75	475
1000	2	Y32	600	75	510
1100	2	Y32	600	75	520
1200	2	Y32	600	75	540
1300	2	Y32	600	75	570
1400	2	Y36	600	75	600
1500	2	Y36	600	75	620



DESIGN NOTE - IN SOME INSTANCES CONCRETE FILLING OF THE CHS CORE MAY BE SPECIFIED BY SCREWPILE AUSTRALIA DESIGN TEAM. CHECK WHETHER CONCRETE FILLING IS REQUIRED AT ITS STRENGTH (MPa) AND DEPTH PRIOR TO INCLUSION INTO DRAWINGS OR SPECIFICATIONS



screwpile australia

Post Office Box 448
Mt Hawthorn, 6915
Ph: 9371 7711
Fax 9371 7722

PROJECT

SHEAR BAR CONNECTION DETAIL