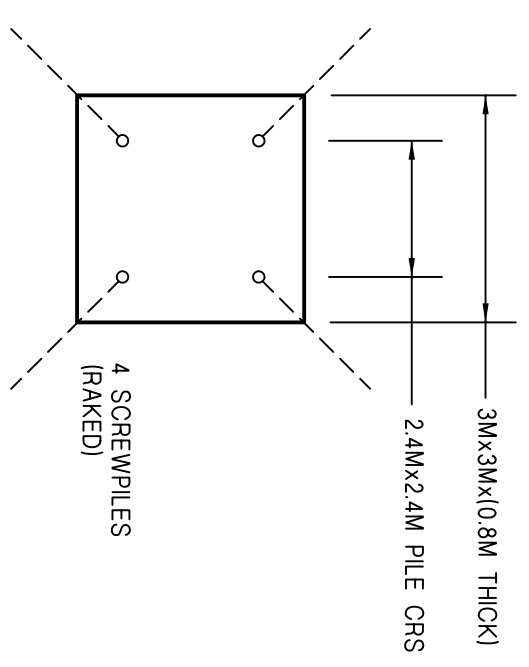
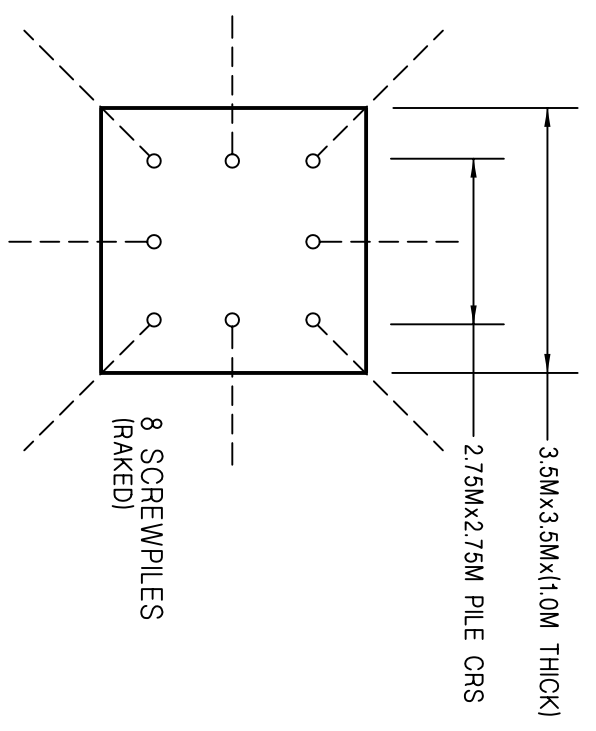


**TYPICAL DETAIL**  
SCALE 1:20




**TYPE 1 & 2**



**TYPE 3**

**PRELIMINARY**  
FOR FEASIBILITY ONLY

 <b>screwpile australia</b> 5 James Street Bayswater, WA, 6053 Tel: 9371 7711 Fax: 9371 7722	
CLIENT	WESTERN POWER
PROJECT	RIVER CROSSINGS
DRAWING TITLE	FOUNDATION DETAILS
DATE	OCT '05
CHECKED	DR
SCALE	NOTED
DRAWN	SDM
APPROVED	
DWG No.	1900-01
REV	0