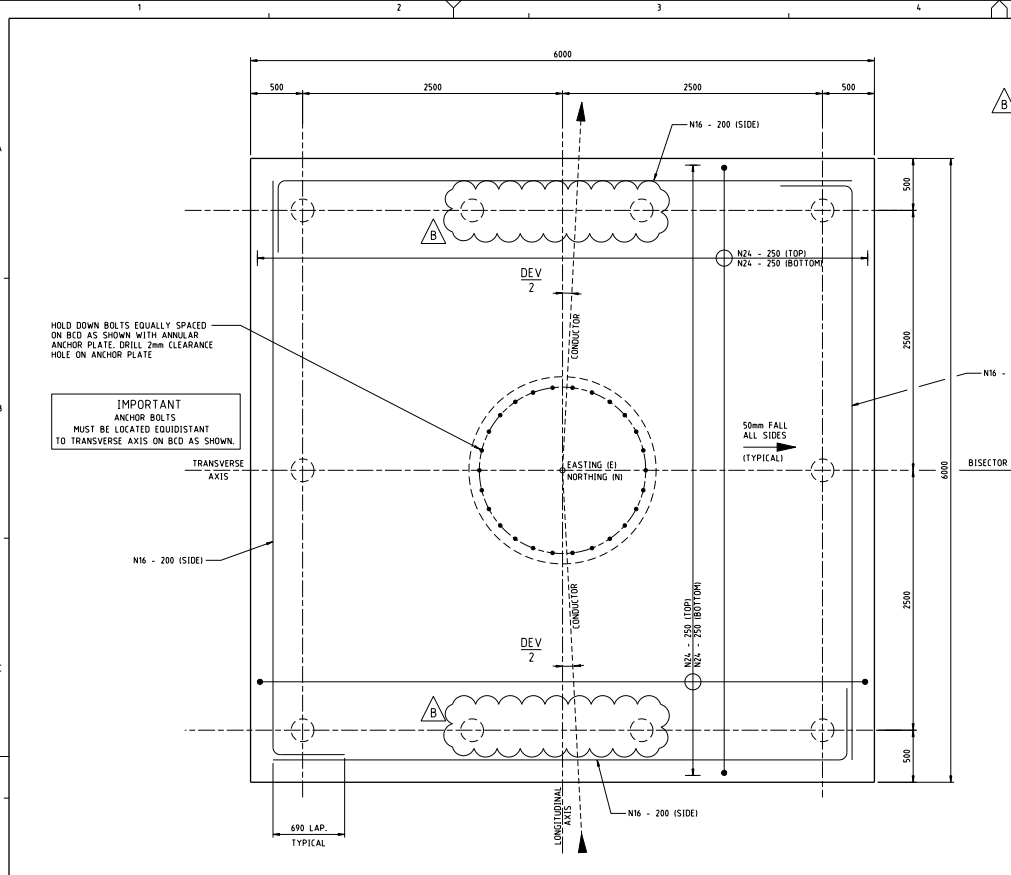
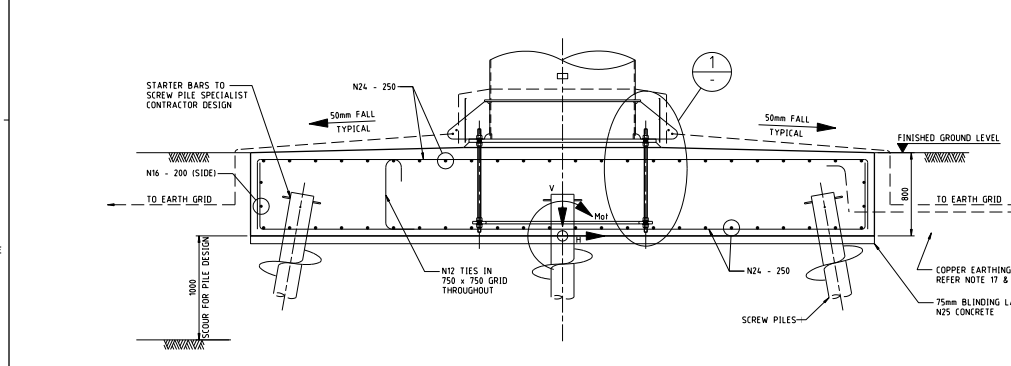


© 2007 Electricity Networks Corporation ABN 50 492 841 474 Western Power (Western Power)
 This drawing is copyright. Except as permitted under the Copyright Act 1968 (Australia), no part of this drawing may be reproduced by any process, electronic or otherwise, without the specific written permission of Western Power.
 Inquiries should be addressed to Western Power, 303 Wellington Street, Perth, WA 6000, AUSTRALIA.

REVISIONS
 1 DATE [] BY []
 2 DATE [] BY []
 3 DATE [] BY []
 4 DATE [] BY []
 5 DATE [] BY []
 6 DATE [] BY []
 7 DATE [] BY []
 8 DATE [] BY []
 9 DATE [] BY []
 10 DATE [] BY []



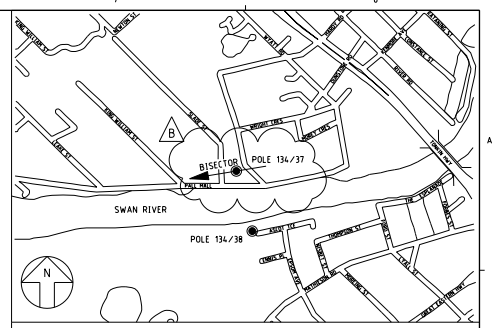
PLAN



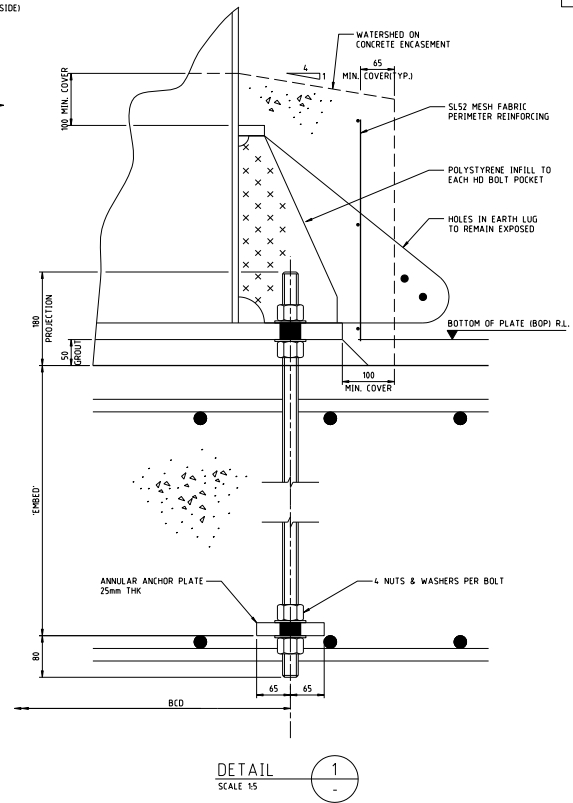
ELEVATION

POLE				HD BOLT (GRADE 8.8)			FOUNDATION TYPE
No.	DEV.	BDP. RL	EASTING (NORTHING)	No.-SIZE	BCD	EMBED	INTERBEDDED SANDY AND CLAYEY SOIL
134/37	1.0 deg	4.77m AHD	398688.35 6466749.40	26-M30	1600	695mm	

ULTIMATE DESIGN ACTIONS FOR PILE DESIGN (AT POLE CENTRE UNDERSIDE OF PILE CAP)			
DIRECTION	ACTION	VALUE (MAX.)	VALUE (COMBINED)
IN -IVE BISECTOR DIRECTION	H (kN)	187	187
	M ₀₁ (kNm)	1988	1988
IN LONG AXIS DIRECTION	H (kN)	130	127
	M ₀₁ (kNm)	3113	3060
TOTAL VERTICAL DOWN	V _{max} (kN)	994	994
	V _{min} (kN)	696	728



TRANSMISSION LINE NT - EP/BEL 81 LOCALITY PLAN



DETAIL SCALE 1:5

GENERAL NOTES

- FOR GENERAL CONSTRUCTION NOTES REFER TO T214/9/1.
- THESE NOTES & SPECIFICATION SUPERSEDE THE GENERAL NOTES.
- HORIZONTAL DATUM IS THE MG494.
- ALL DIMENSIONS RELEVANT TO SETTING OUT AND OFF-SITE WORK SHALL BE VERIFIED BY THE CONTRACTOR BEFORE CONSTRUCTION IS COMMENCED.

DESIGN NOTES

- POLE MAY BE LOADED IMMEDIATELY AFTER ERECTION AND PRIOR TO GROUTING. POLE MUST BE GROUTED A MINIMUM OF 48 HOURS BEFORE CONDUCTOR STRINGING OR WITHIN 48 HOURS AFTER STRINGING.
- THE ULTIMATE FACTORED DESIGN ACTIONS AS SHOWN ARE EXCLUSIVE OF THE GEOTECHNICAL STRENGTH REDUCTION FACTOR AND ARE ACTING AT SOFFIT OF PILE CAP.
- SCREW PILES SHALL BE DESIGNED TO AS2519 AND INSTALLED BY APPROVED ALTERNATIVE SPECIALIST CONTRACTOR.
- THE SOIL CONDITIONS SHALL BE INFERRED FROM THE GEOTECHNICAL INFORMATION CONTAINED IN THE SPECIFICATION - ECPT TRACES.

CONSTRUCTION NOTES

- THE CONTRACTOR SHALL IDENTIFY AND MAKE ALLOWANCE FOR ANY IN GROUND SERVICES AT THE SITE.
- ALL WORKS TO BE CARRIED OUT ACCORDING TO THESE NOTES AND THE SPECIFICATION.
- ANCHOR BOLT MATERIAL TO BE GRADE 8.8 TO AS1252 OR EQUIVALENT, GALVANISED TO AS1214. EACH BOLT TO BE SUPPLIED WITH 4 HEX HEAD NUTS AND 4 FLAT WASHERS TO AS1121 GALVANISED TO AS1214.
- ANNULAR ANCHOR PLATE TO AS3678 GRADE 350, UNCOATED.
- NO WELDING OF OR TO ANCHOR BOLTS PERMITTED.
- TOP OF ANCHOR BOLT CAGE TO BE HELD FIRMLY USING A STEEL TEMPLATE SPECIFIED ON RELEVANT STRUCTURAL DRAWING.
- ALL REINFORCING GRADE 500M.
- CONCRETE FOOTING TO BE CAST WITHOUT JOINTS. ENSURE CONCRETE TEMPERATURE IS < 28°C PRIOR TO POURING, IF NECESSARY, PRE-COOL AGGREGATES.
- CURE CONCRETE FOR A MINIMUM OF 14 DAYS PRIOR TO ERECTION OF POLE. USE HD PLASTIC SHEET TAPED ALL ROUND.
- NUTS AND WASHERS TO BE SNUG TIGHT AGAINST ANCHOR PLATE AND BASEPLATE.
- GROUT TO BE CONCRETE HE (PARACHEM) OR APPROVED EQUIVALENT, MIXED, PLACED, AND CURED TO MANUFACTURERS SPECIFICATIONS.
- FORMED EXPOSED SURFACE FINISHES TO AS3610, CLASS 3.
- CONCRETE FOR BASEPLATE ENCASEMENT GRADE N25, 80 SLUMP, 20mm MAX AGGREGATE, FORMED TO AS3610, CLASS 3.
- UNFORMED EXPOSED SURFACES TO BE SMOOTH STEEL TROWELLED FINISH; EDGES TO HAVE A R10 BULLNOSE FINISH.
- COMPACTION OF SUBGRADE AROUND PILES AND RE-COMPACTION OF INFILL AROUND FOUNDATION TO BE MEASURED AS MAXIMUM 8 BLOWS PER 300mm WITH A STANDARD PERTH PENETROMETER.
- COPPER EARTHING FLAT SHALL BE BOLTED TO EARTH LUG AND CONNECTED TO EARTH GRID AT ONE POINT ONLY USING A CROWDED JOINT. POSITION OF EARTH GRID CONNECTION SHALL BE CONFIRMED WITH THE ENGINEER PRIOR TO INSTALLATION.
- FOUNDATION REINFORCEMENT SHALL BE WELDED AT EVERY SECOND INTERSECTION. COPPER EARTHING FLAT SHALL BE BRAZED TO FOUNDATION REINFORCEMENT. BRAZED TO ONE PILE HEAD AND CONNECTED TO EARTH GRID AT ONE POINT ONLY USING A CROWDED JOINT. POSITION OF BRAZING AND EARTHGRID CONNECTION SHALL BE CONFIRMED WITH THE ENGINEER PRIOR TO INSTALLATION.

ISSUED FOR CONSTRUCTION SPECIFICATION : WD-T0197-07

NT - EP/BEL 81 LINE
 (STEEL POLES TO SWAN RIVER CROSSING AT BAYSWATER)
 FOUNDATION
 DETAILS
 SUSPENSION POLE 134/37 - TYPE S0/28.4

AECOM AECOM Australia Pty Ltd ABN 50 000 040 020 Level 13, 3 Forrest Place Perth WA 6000 Australia P.O. Box GPO Box 850 Perth WA 6000		DRG. No. T215/3/1
westernpower DRAWN: J.MARIBBY DATE: 05/10/09 CHECKED: K. ZHANG DESIGNED: K. ZHANG EXAMINED: P. SAVIG APPROVED: C. CANDY		REVISION: B